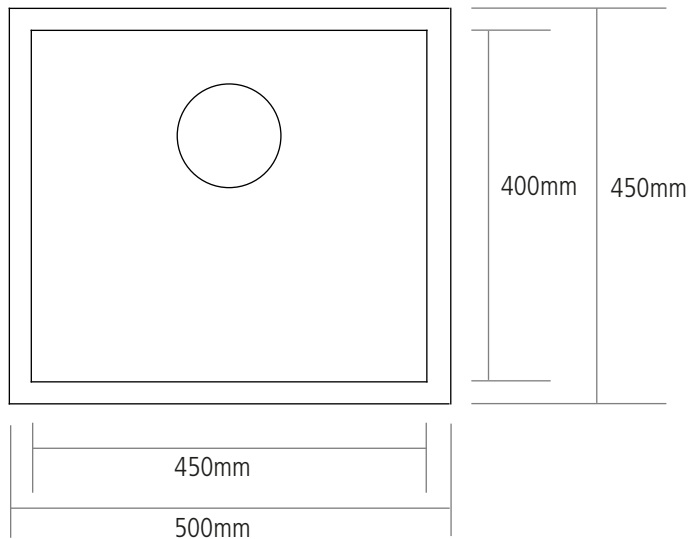


# DIMENSIONS

---



**BOWL DEPTH:** 200MM

**MIN. BASE UNIT:** 500MM

**UNDERMOUNT CUT-OUT SIZE:** 450 x 400MM

**INSET CUT-OUT SIZE:** 479 X 429MM

---

**NOTE:** For cut-out shape go to [www.caple.co.uk](http://www.caple.co.uk) for template