



DALTON PURITI



PRODUCT CODE

DALPUR2/SS

FINISH AVAILABLE

 Stainless steel

TAP FEATURES

- Monobloc design
- Minimum 0.5 bar pressure required
- Quarter turn lever for filtered water
- Single lever ceramic valve for hot and cold water
- Single flow for hot and cold water
- Separate filtered supply [filter included]

OPTIONAL EXTRAS

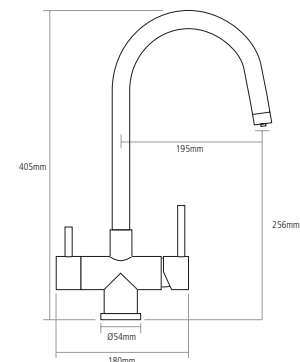
- PURIT1 Replacement filter
- Available to buy online www.caple.co.uk

Features

CAPLE PURITI

Caple Puriti taps deliver regular hot and cold water with the added benefit of fresh filtered water, which is either dispensed using a third lever or fully integrated into the standard design. The filtration system is hidden from sight in the kitchen unit, and by turning the filtration tap, your normal cold water supply is diverted via the Caple filter to the tap and in to your glass.

← DIMENSIONS



Worktop cut out 35mm required