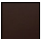





## LAMAR

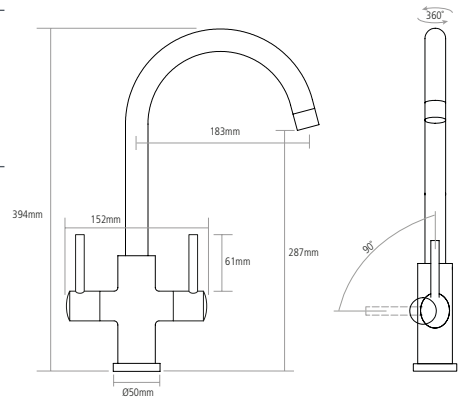


**PRODUCT CODE**  
LAM/CH

**FINISH AVAILABLE**  
 Blackened Copper  
 Polished Chrome [shown]

**TAP FEATURES**  
- Monobloc design  
- Minimum 0.3 bar pressure required  
- Quarter turn ceramic valve  
- Single flow  
- WRAS approved

## ← DIMENSIONS



Worktop cut out 35mm required