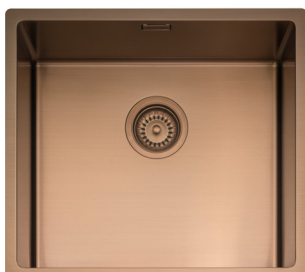




MODE 45 COPPER INSET OR UNDERMOUNTED



PRODUCT CODE

MODE045/CO

FINISH AVAILABLE

Copper

FEATURES

- 1.2mm brushed stainless steel
- No tap facility
- 90mm waste outlet for a basket strainer waste
- Suitable for a waste disposer
- Waste and overflow included

PLUMBING OPTION

- Plumbing kit CPK100

FITTING OPTIONS



Inset



Undermounted

ACCESSORY OPTIONS



Copper foldmat
FMAT/CO

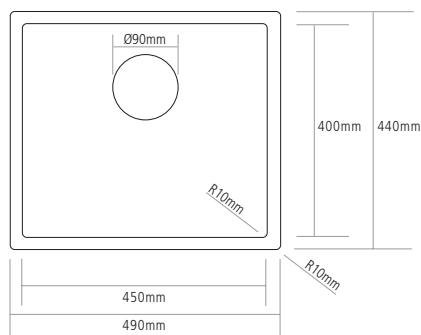


Copper colander
MODECOL/CO



Roweca anthracite
chopping board
VACB

⇔ DIMENSIONS



BOWL DEPTH: 200MM

MIN. BASE UNIT: 500MM

INSET CUT-OUT SIZE: 476 X 426MM

NOTE: For cut-out shape go to www.caple.co.uk for template