



## SINGLE LEVER DELUXE



### PRODUCT CODE

SLD2/CH

### FINISH AVAILABLE

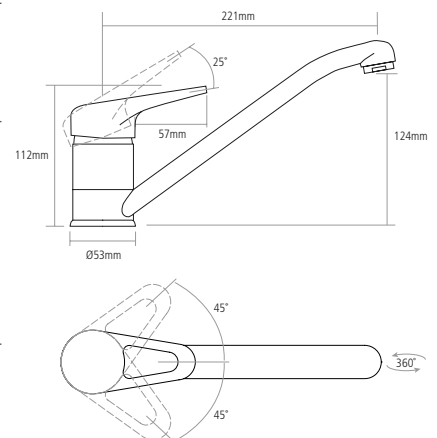
 Polished Chrome

### TAP FEATURES

- Single lever design
- Minimum 0.3 bar pressure required
- Single lever ceramic valve
- Single flow
- WRAS approved

The SLD2/CH has been designed to conform to the Code for Sustainable Homes [CSH] Level 3 and has a flow rate of less than 4 litres per minute at 3 bar.

### ↔ DIMENSIONS



Worktop cut out 35mm required