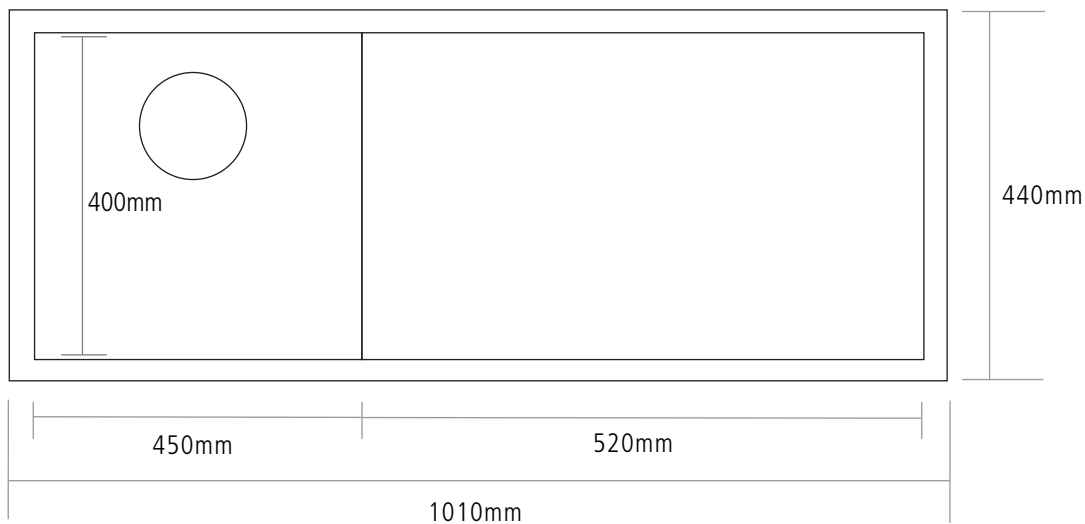


# DIMENSIONS

---



**MAIN BOWL DEPTH: 200MM**

**MIN. BASE UNIT: 600MM**

**CUT-OUT SIZE: 990 X 420MM**

---