



CAPLE CARE

FREE 2 YEAR
PARTS & LABOUR
GUARANTEE

70/30 FRIDGE FREEZER - FROST FREE



PRODUCT CODE

Ri7306

DIMENSIONS

 h:1770mm

PERFORMANCE

e Energy class E
 Nose level C
 Energy consumption
 218kWh/yr
 Max. noise level 41dB[A]
 3kg/24hrs freezing capacity

FINISH AVAILABLE

 White

GENERAL FEATURES

- Reversible door
- Sliding door installation
- Electronic controls

FRIDGE FEATURES

- Auto defrost
- Top and side LED strip lights
- Super cool
- Caple cool air-flow system
- Caple fresh

FREEZER FEATURES

- 4 star
- Frost free
- Super freeze
- 1 Ice cube tray

DESIGN

- Deluxe steel trimmed interior
- Transparent plastic drawers and compartments

FRIDGE STORAGE

- 3 Removable glass shelves
- 1 Easy adjustable door balcony
- 3 Standard door balconies
- 1 Egg tray
- 1 Humidity controlled drawer
- 1 Crisper drawer
- 1 Crisper cover shelf

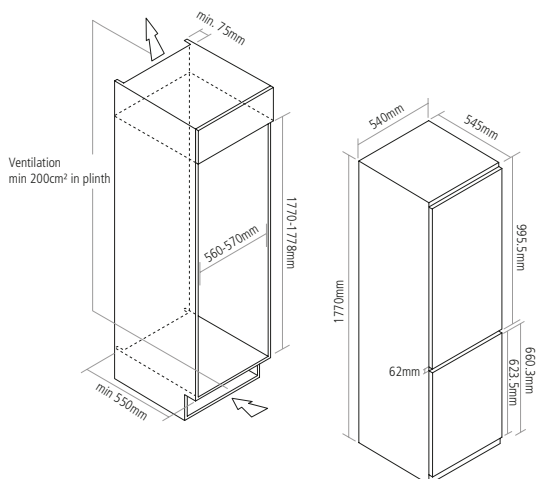
FREEZER STORAGE

- 2 Freezer drawers
- 1 Flip down door compartment
- 2 removable glass shelves

CAPACITY

- 243 Litre total net capacity
- 256 Litre total gross capacity
- 180 Litre fridge net capacity
- 63 Litre freezer net capacity

DIMENSIONS



Features

LED LIGHTING & ELECTRONIC CONTROLS

Strip LED lighting adds a modern feel, while electronic controls are precise and easy to use.

THE FRESHEST FOOD

Caple Fresh technology eliminates ethylene gas [a by-product of fresh foods] inside the vegetable drawer, therefore enabling your fresh food to last for longer. Caple's cool airflow system also ensures cold air will flow to every level for even chilling.

FROST-FREE

No more laborious defrosting with a scraper. Our frost-free system works by heating up an element for a short time, which melts the ice and prevents build-up. Keeping a freezer ice-free means food stays fresher for longer. Freezing food is also much quicker, preserving as many nutrients as possible and freeing up much needed storage space.