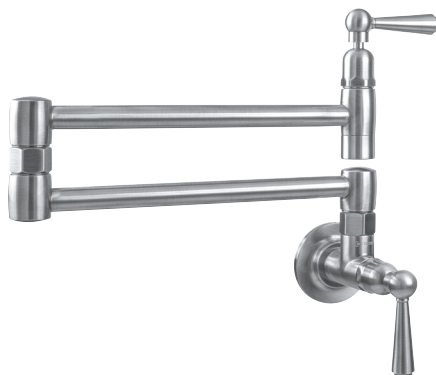
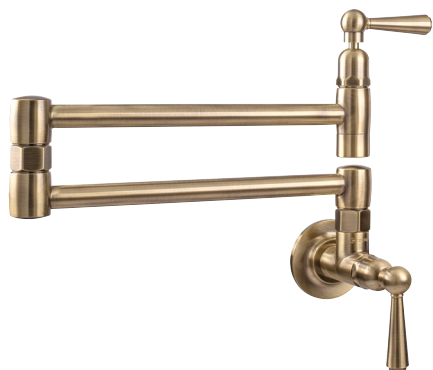




**ANTIQUE BRASS & STAINLESS STEEL TAP
CARE, INSTALLATION AND GUARANTEE INFORMATION**

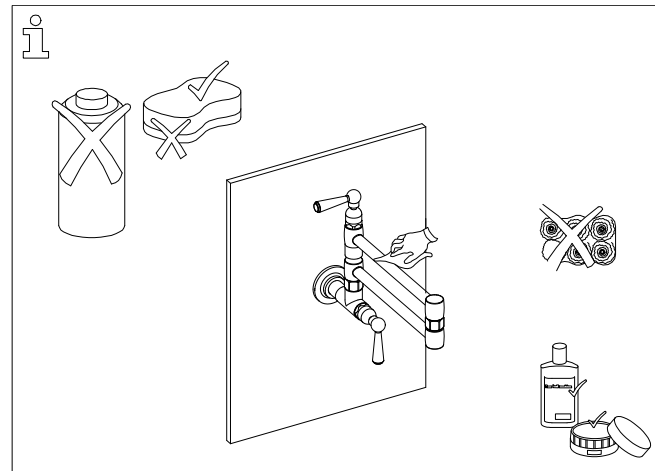
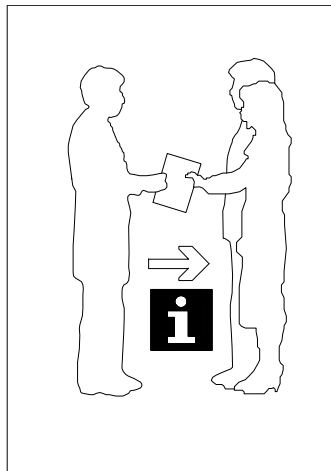
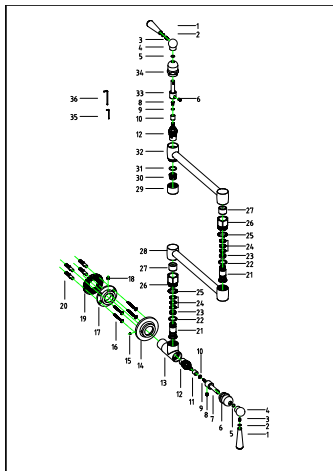
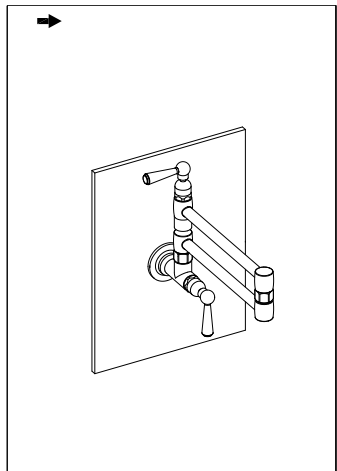
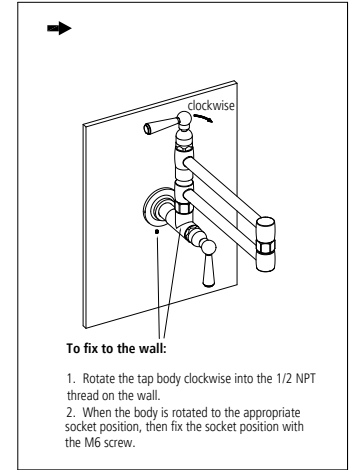
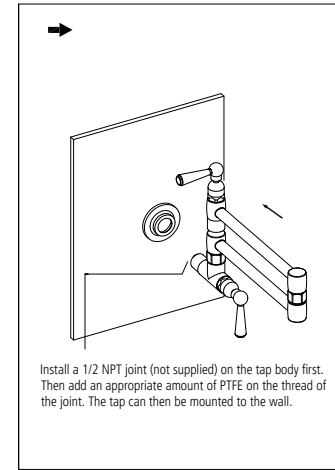
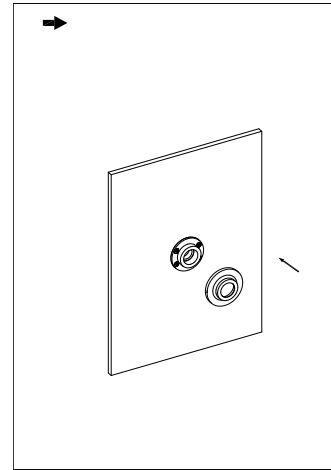
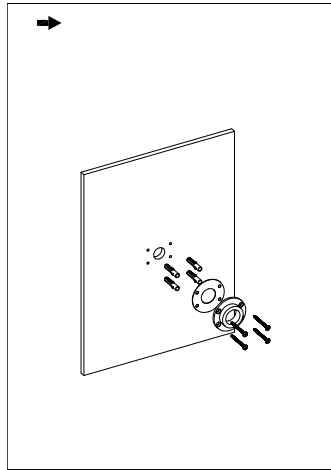
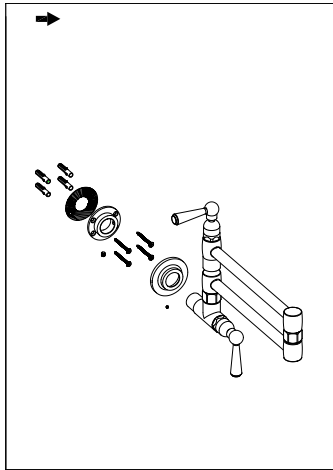
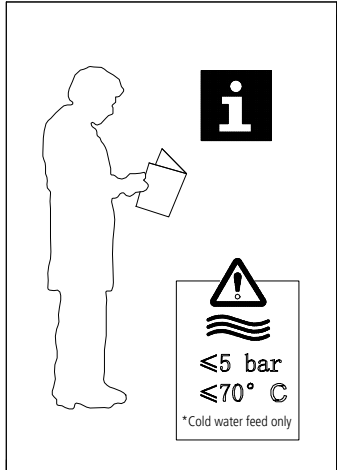
MODEL CODE: BAN/AB & BAN/SS



INSTALLATION GUIDE

Thank you for purchasing your Caple tap.

These taps have been manufactured and inspected to exacting standards and are guaranteed to give years of trouble free operation providing our care and installation guidelines have been followed.



NOTE: Please see back page for installation instructions

INSTALLATION INSTRUCTIONS

- Prepare your pipework in the wall where the tap is to be installed.
- Ensure the cold pipe is thoroughly flushed to remove any debris [note: this tap is cold flow only].
- A 30mm hole is required in the wall.
- Install a 1/2 NPT joint [not supplied] on the tap body first.
- Then add an appropriate amount of PTFE on the thread of the joint. The tap can then be mounted to the pipework in the wall.
- To fix to the wall, rotate the tap body clockwise into the 1/2 NPT thread on the wall.
- When the body is rotated to the appropriate socket position, then fix the socket position with the M6 screw.

CARE OF YOUR TAPS

- Only clean your taps with soap or mild liquid detergent and clean water then dry using a soft cloth
- Do not use chemical cleaners, or bleach based solutions to clean your tap, contact could affect the finish of your tap.
- Do not use abrasive cleaners, liquids, powders or pads. These will damage the finish of your tap and void the guarantee.
- Provided all of the above points are adhered to the surface finish of your Caple Tap is guaranteed for 5 years.

PRE INSTALLATION CHECKS

- Water pressure requirements: minimum required pressure varies dependent on model, maximum pressure 5 bar.
- Always seek advice from a qualified installer to ensure your installation and water supply to your taps comply with the water regulation [WRAS] requirements and good plumbing practice.

GUARANTEE

- Your Caple tap is guaranteed for 5 years.
- Should you have any defects as detailed above during the appropriate guarantee period we guarantee to repair or replace the defective products or parts, or, at our option refund the purchase price assuming we were advised immediately of any claim in writing.
- It is important that you keep a proof of purchase [such as your receipt] to facilitate your guarantee.

TERMS AND CONDITIONS

- Guarantee conditions are only valid if the Care guidelines listed above are followed.
- Our obligation under the guarantee is to the original purchaser, and may not be transferred.
- The guarantee is valid for UK domestic installations only and relates to defects in manufacture, materials and workmanship only.
- Issues that arise due to normal wear and tear [for example valves, discs or washers], poor installation, improper use or accidental damage are not covered by the Caple guarantee. Spare parts can be purchased from our Customer care helpline 0117 938 1900.
- No liability is accepted for consequential damage to other household fixtures, fittings or furnishings relating to any claim - even if attached to the product.
- If it is more economically viable a replacement tap will be supplied, this tap might vary from the original design should range changes of occurred since the initial supply.
- We reserve the right to inspect any tap before committing to support under the guarantee conditions.

- Supplies of water should be from a common source [mains or tank fed].
- We recommend that a service valve is installed in the supply line to the tap to enable water isolation if required.

POST INSTALLATION POINTS

- We suggest when connecting screw connections that PTFE tape is used before the joints are fully tightened.
- Before use correctly check the installation for leaks, and turn the cold water on to thoroughly flush any small particles that may have been dislodged during the tap installation.

THESE INSTRUCTIONS ARE INTENDED AS A GUIDE, IF IN ANY DOUBT ENSURE YOU SEEK ADVICE FROM A CERTIFIED PLUMBER.