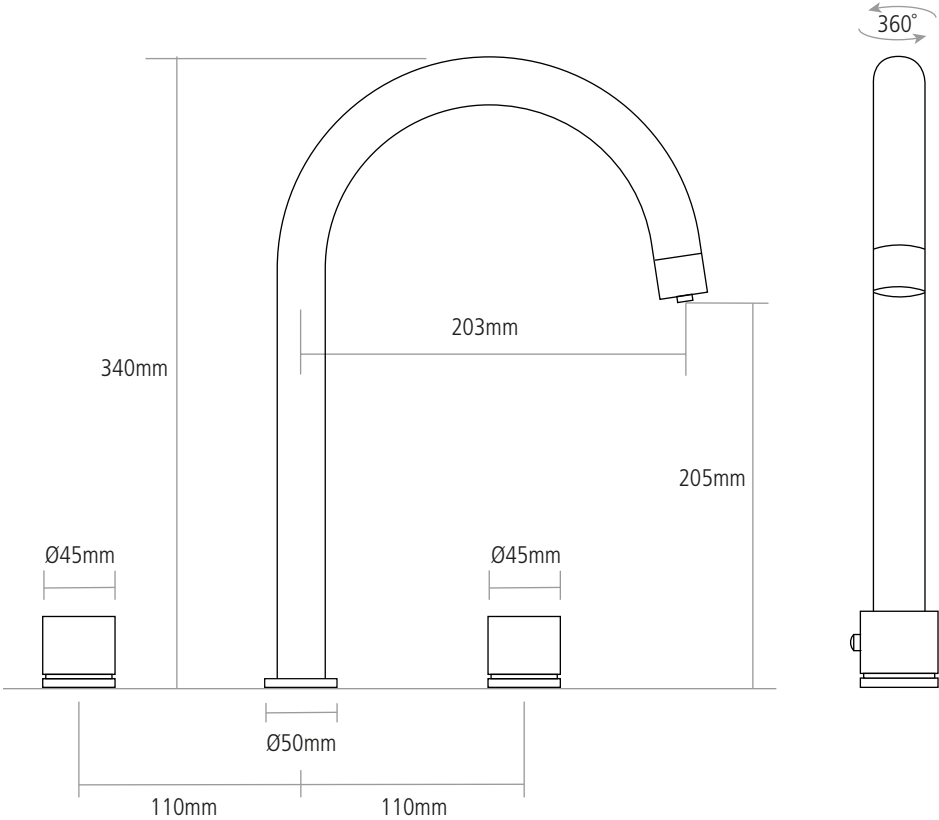


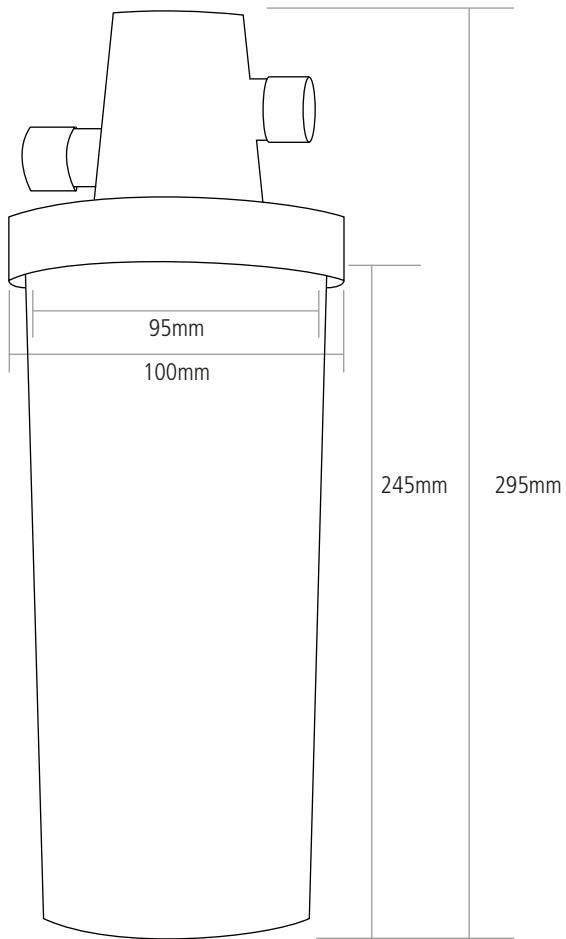
# DIMENSIONS



Worktop cut-outs 35mm required

# DIMENSIONS

---



# DIMENSIONS

---

